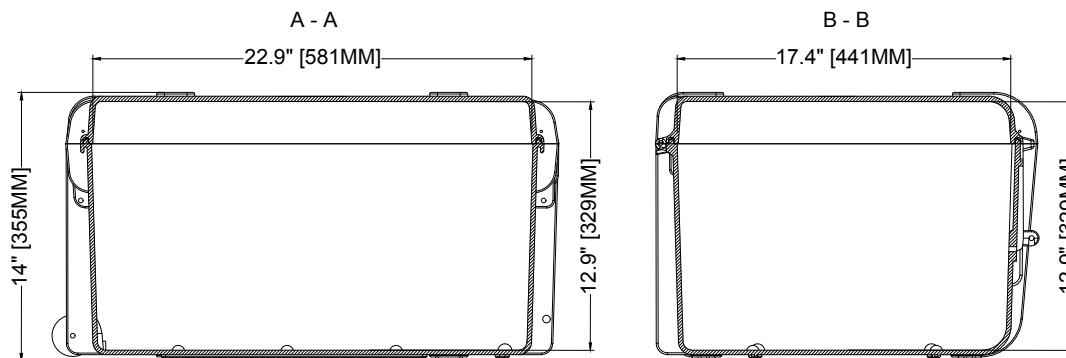


↑ EXTERNAL VIEW ↑
↓ INTERNAL VIEW ↓



VERSION HISTORY	NOTES
#	DATE
5.00	04-OCT-18
	ORIGINAL



TITLE
POLYPROOF 84L

SHEET
OVERVIEW

FIASCOCASES.COM

DATE
04-OCT-18

DESIGNED
ASH ALGIE

PROJECT MANAGER
JOE BRADFORD

SCALE | 1:10
PAPER | A4
FILE | POLYPROOF 84L.dwg
PLOT | 05/11/2019 12:16 PM
SHEET | 1 OF 2

VERSION



INCLUDING PICK & PLUCK FOAM
sales@fiascocases.com // (323) 528-2430