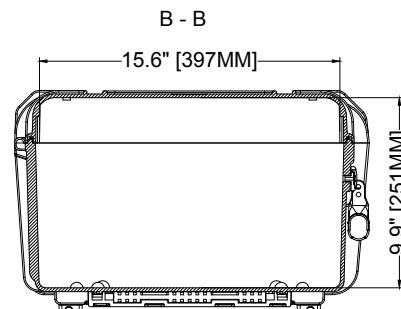
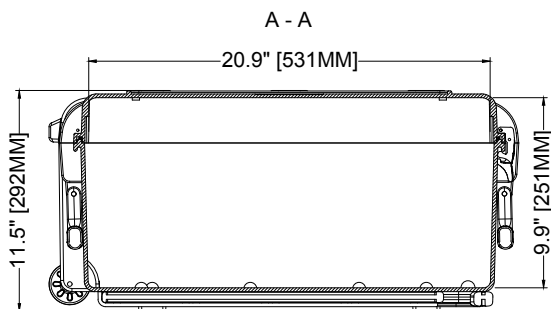


↑ EXTERNAL VIEW ↑
↓ INTERNAL VIEW ↓



VERSION HISTORY	NOTES
#	DATE
5.00	20-SEP-18
	ORIGINAL



THIRD ANGLE PROJECTION

TITLE
POLYPROOF 54L

SHEET
OVERVIEW

FIASCOCASES.COM

DATE
20-SEP-18

DESIGNED
ASH ALGIE

PROJECT MANAGER
JOE BRADFORD

SCALE | 1:10
PAPER | A4
FILE | POLYPROOF 54L.dwg
PLOT | 05/11/2019 12:16 PM
SHEET | 1 OF 2

VERSION

5.00

INCLUDING PICK & PLUCK FOAM
sales@fiascocases.com // (323) 528-2430