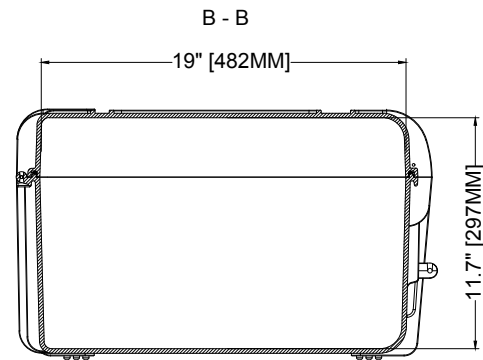
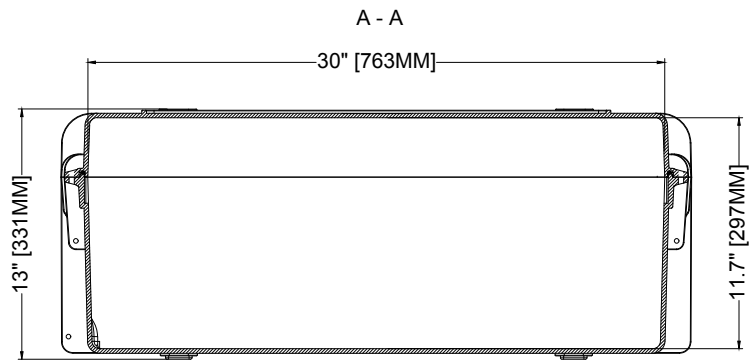
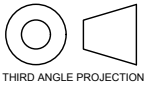


↑ EXTERNAL VIEW ↑
↓ INTERNAL VIEW ↓



VERSION HISTORY	
#	DATE
5.00	25-JUL-19
	ORIGINAL



TITLE: **POLYPROOF 113L**

SHEET: **OVERVIEW**

FIASCOCASES.COM

DATE: 25-JUL-19

DESIGNED: ASH ALGIE

PROJECT MANAGER: JOE BRADFORD

SCALE: 1:10
PAPER: A4
FILE: POLYPROOF 113L.dwg
PLOT: 05/11/2019 12:17 PM
SHEET: 1 OF 2

VERSION

