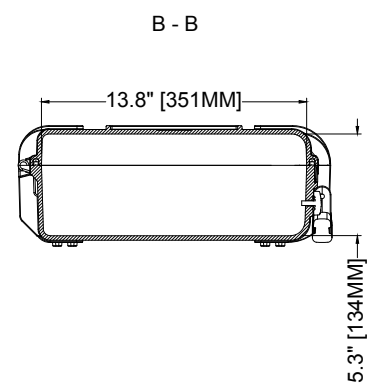
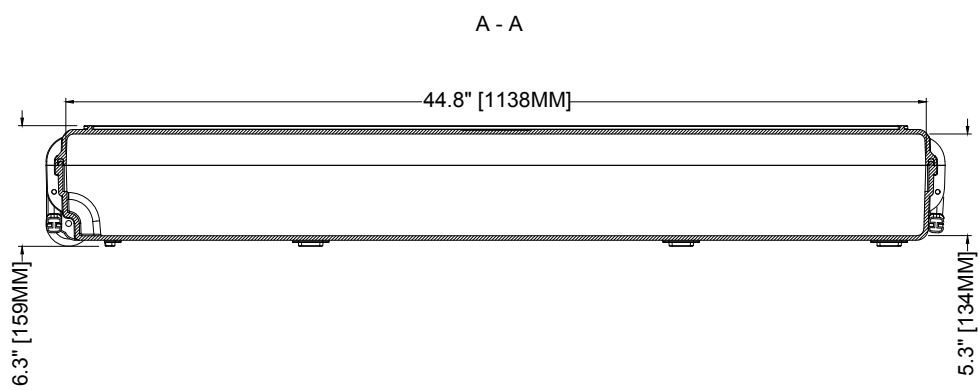


MADE OF GLASS-FILLED POLYPROPYLENE

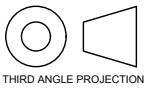
IP67

INTERNAL CAPACITY: 53L
SHIPPING VOLUME: 2.72FT³
EMPTY WEIGHT: 23.55LB

↑ EXTERNAL VIEW ↑
↓ INTERNAL VIEW ↓



VERSION HISTORY	NOTES
#	DATE
5.00	04-OCT-18
	ORIGINAL



TITLE: **POLYPROOF 1138i**

SHEET: **OVERVIEW**

FIASCOCASES.COM

DATE: **04-OCT-18**

DESIGNED: **ASH ALGIE**

PROJECT MANAGER: **JOE BRADFORD**

SCALE	1:10
PAPER	A4
FILE	POLYPROOF 1138i.dwg
PLOT	05/11/2019 12:19 PM
SHEET	1 OF 2

VERSION



INCLUDING PICK & PLUCK FOAM
sales@fiascocases.com // (323) 528-2430