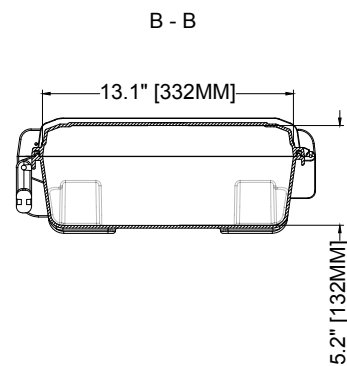
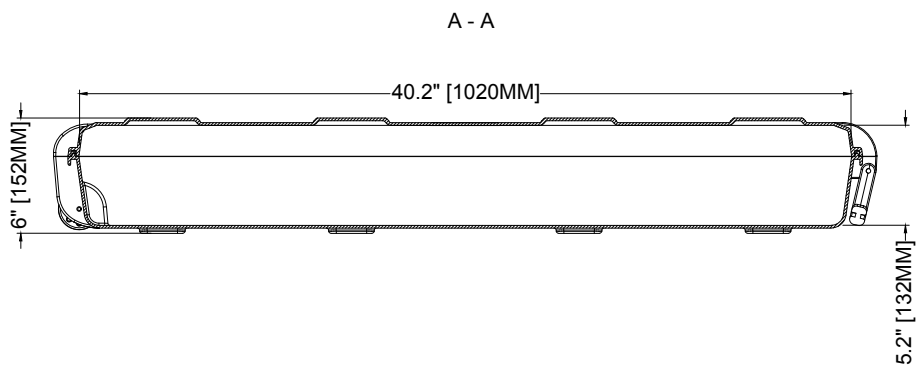


↑ EXTERNAL VIEW ↑
↓ INTERNAL VIEW ↓



VERSION HISTORY	
#	DATE
5.00	04-OCT-18
	ORIGINAL



TITLE
POLYPROOF 1020i

SHEET
OVERVIEW

FIASCOCASES.COM

DATE
04-OCT-18

DESIGNED
ASH ALGIE

PROJECT MANAGER
JOE BRADFORD

SCALE | 1:10
PAPER | A4
FILE | POLYPROOF 1020i V1.dwg
PLOT | 05/11/2019 12:18 PM
SHEET | 1 OF 2

VERSION

5.00

INCLUDING EGG FOAM TOP AND BOTTOM
sales@fiascocases.com // (323) 528-2430