

VERSION HISTORY	NOTES
#	DATE
5.00	07-DEC-17
5.01	18-APR-18

ORIGINAL  
UPDATED RUB STRIPS, CHANGED  
HINGE, CATCH BLOCK & HANDLE  
ASSEMBLY, LOWERED END  
HANDLES.



THIRD ANGLE PROJECTION

TITLE  
**48 X 30 TALL CADILLAC CASE**

SHEET  
**OVERVIEW**

FIASCOCASES.COM

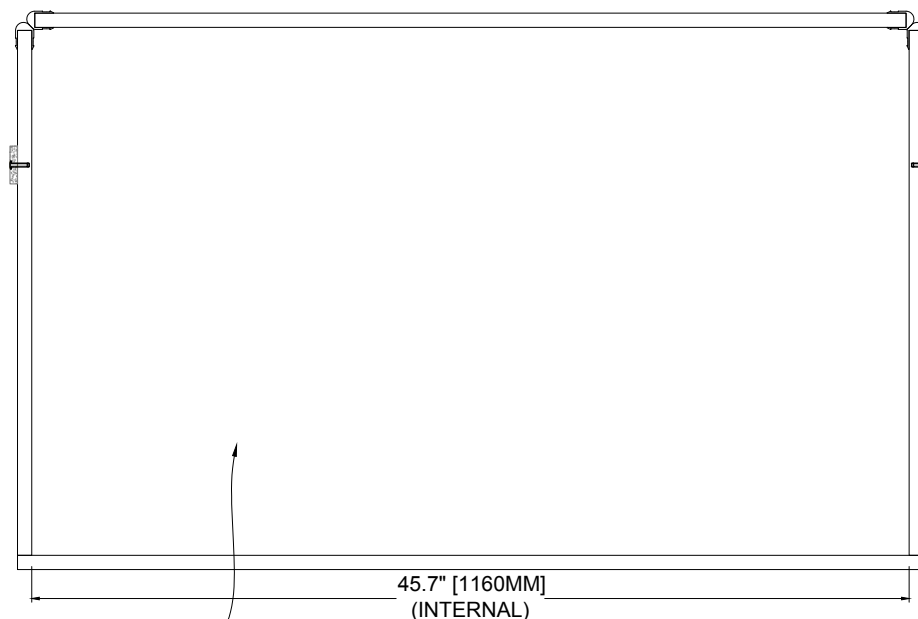
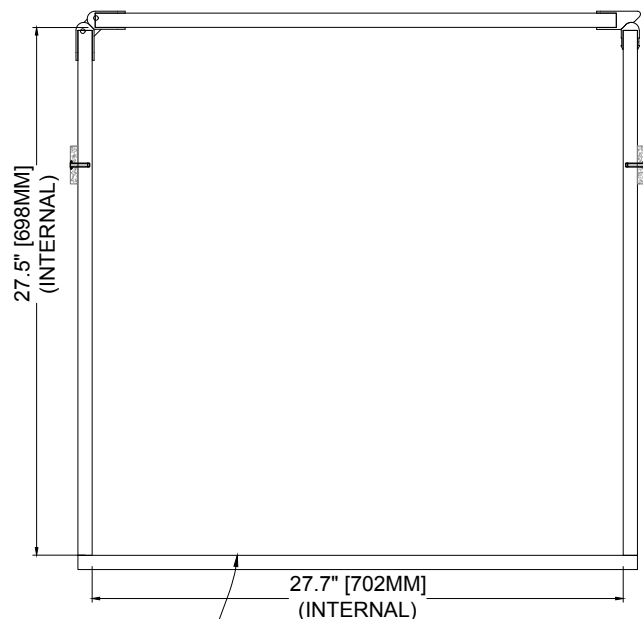
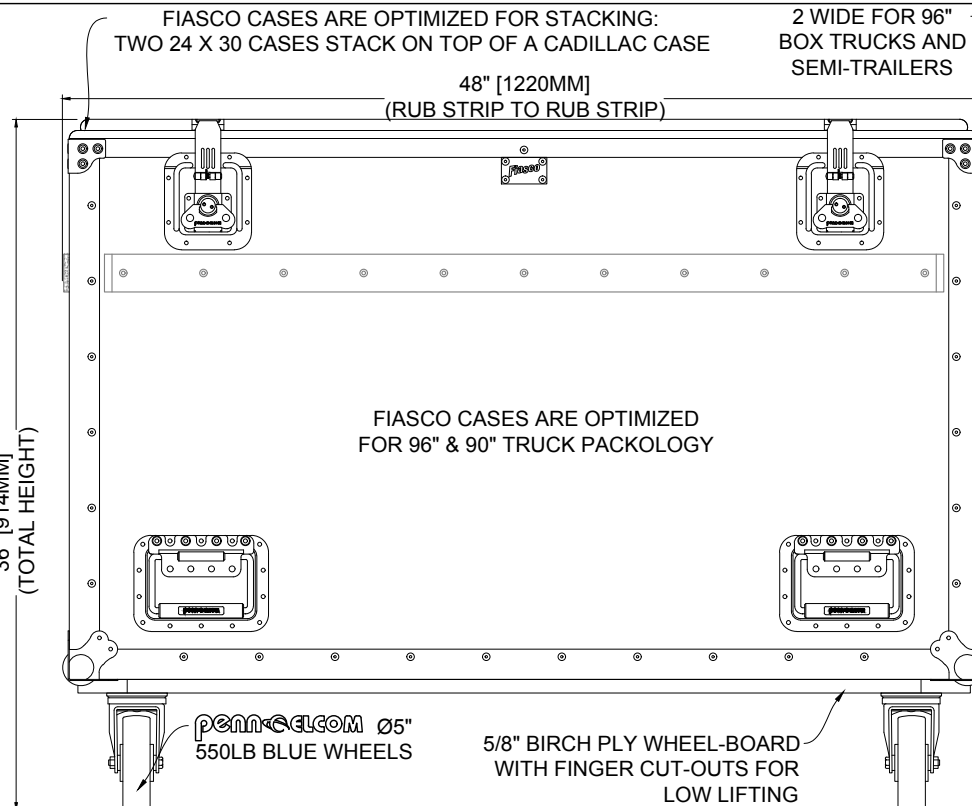
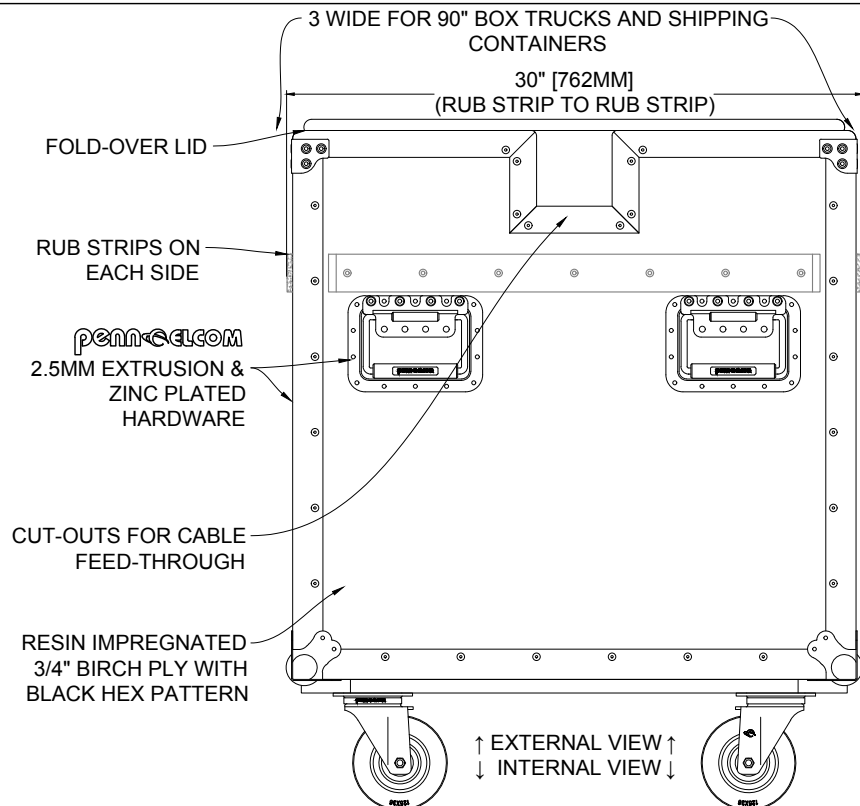
DATE  
**23-AUG-18**

DESIGNED  
**MATT WATERHOUSE**

PROJECT MANAGER  
**JOE BRADFORD**

SCALE | 1:10  
PAPER | A4  
FILE | 48 X 30 TALL CADILLAC CASE  
PLOT | V5.01.dwg  
SHEET | 04/11/2019 12:15 PM  
OF

VERSION



INTERNAL CAPACITY: 20.1FT<sup>3</sup> [568L]  
SHIPPING VOLUME: 30FT<sup>3</sup> [0.85M<sup>3</sup>]  
WEIGHT: 187LB [85KG]

DRAINAGE HOLES