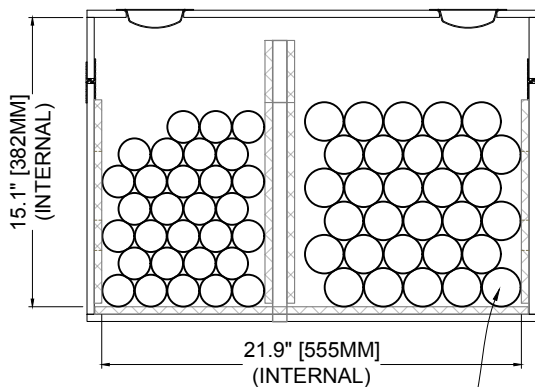
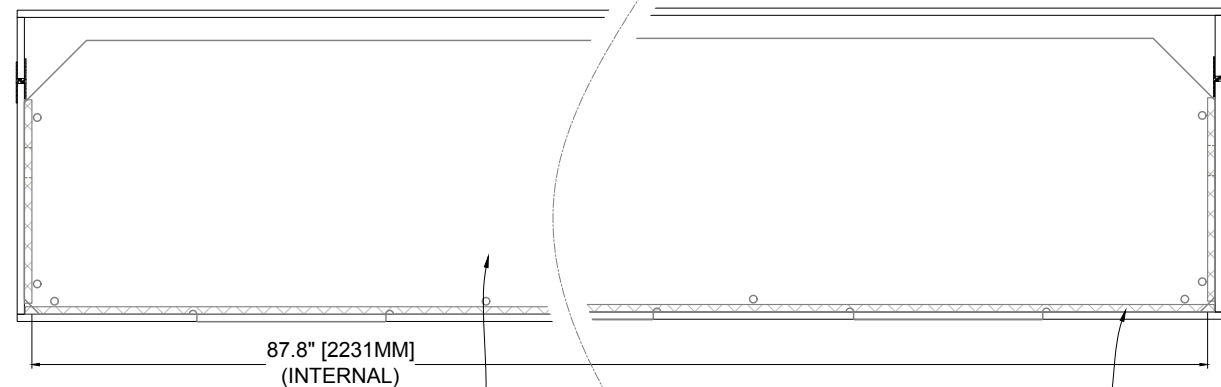
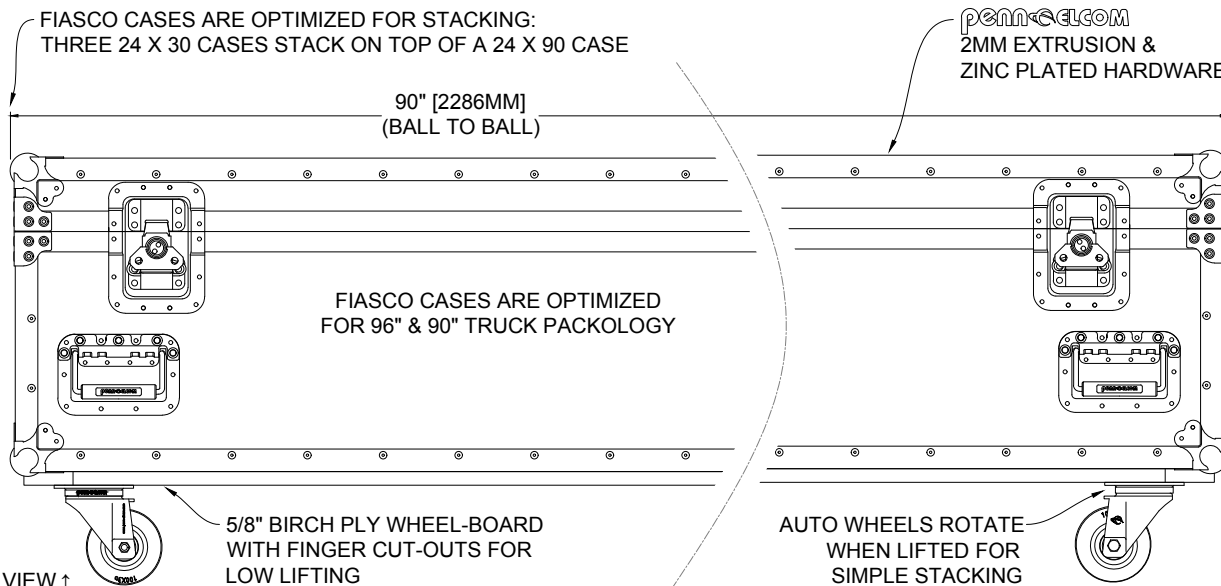


↑ EXTERNAL VIEW ↓
↓ INTERNAL VIEW ↑



TAKES 30 PUSHUPS & 30 CROSSBARS



SHIPPING VOLUME: 28FT³ [0.8M³]
WEIGHT: 176LB [80KG]

VERSION HISTORY	
#	DATE
5.00	13-FEB-18
	ORIGINAL



TITLE
24 X 90 PUSHUP CASE

SHEET

OVERVIEW

FIASCOCASES.COM

DATE
13-FEB-18

DESIGNED
MARTIN KAUBITZSCH

PROJECT MANAGER
JOE BRADFORD

SCALE | 1:10
PAPER | A4
FILE | 24 X 90 PUSHUP CASE V5.00.dwg
PLOT | 04/11/2019 12:05 PM
SHEET | 1 OF 2

VERSION

