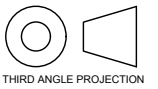


VERSION HISTORY	
#	DATE
5.00	08-DEC-17
	ORIGINAL



TITLE
24 X 30 TALL CASE

SHEET
OVERVIEW

FIASCOCASES.COM

DATE
8-DEC-17

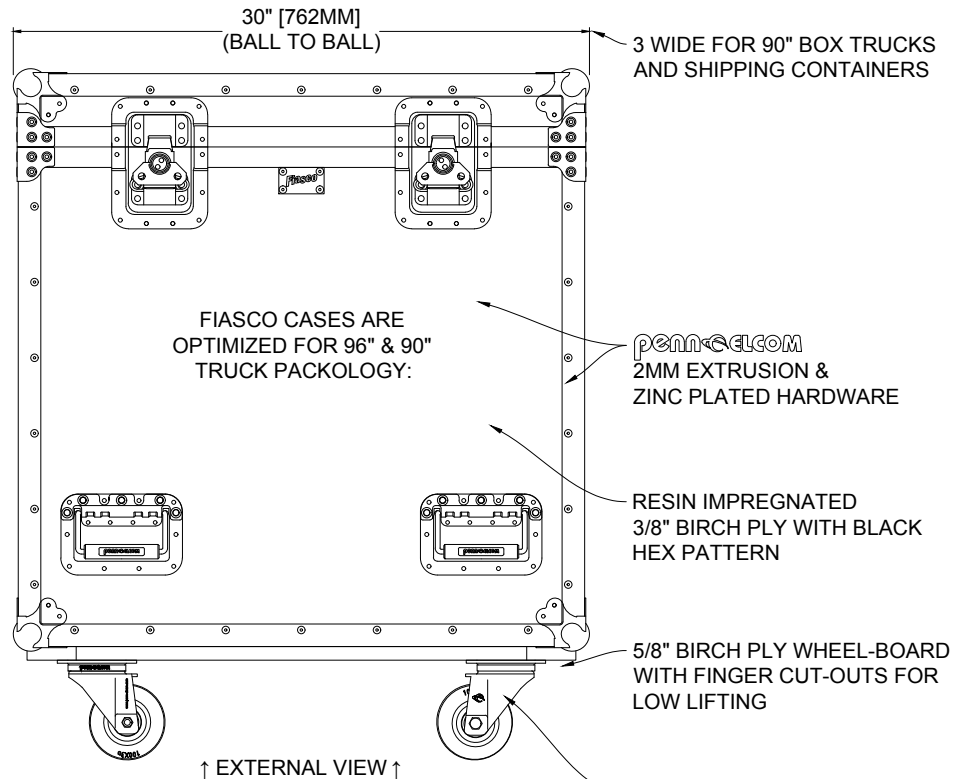
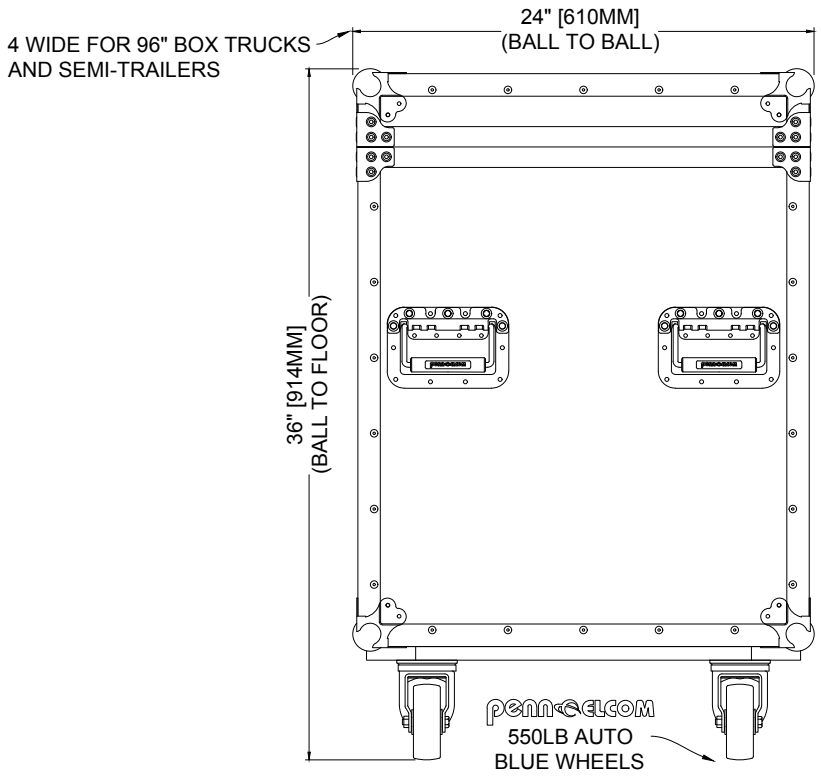
DESIGNED
MARTIN KAUBITZSCH

PROJECT MANAGER
JOE BRADFORD

SCALE | 1:10
PAPER | A4
FILE | 24 X 30 TALL CASE V5.00.dwg
PLOT | 04/11/2019 11:20 AM
SHEET | 1 OF 2

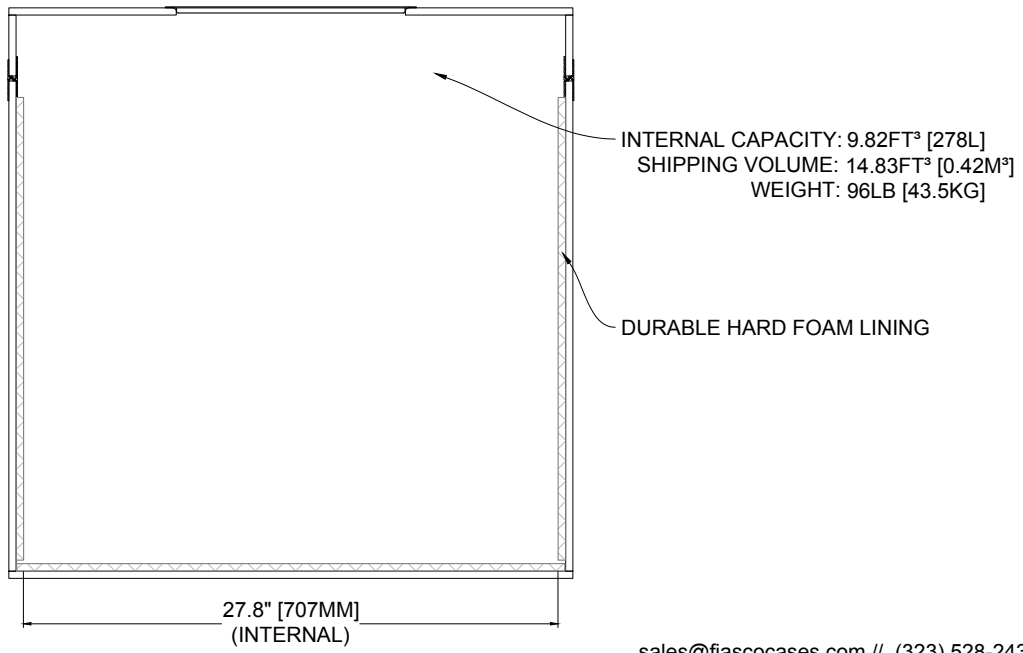
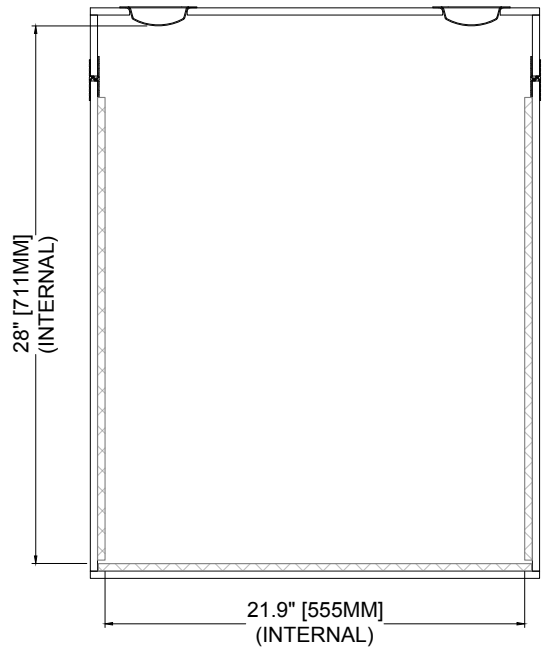
VERSION

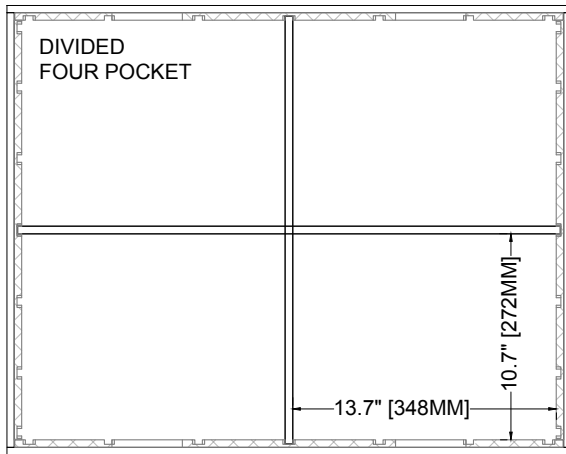
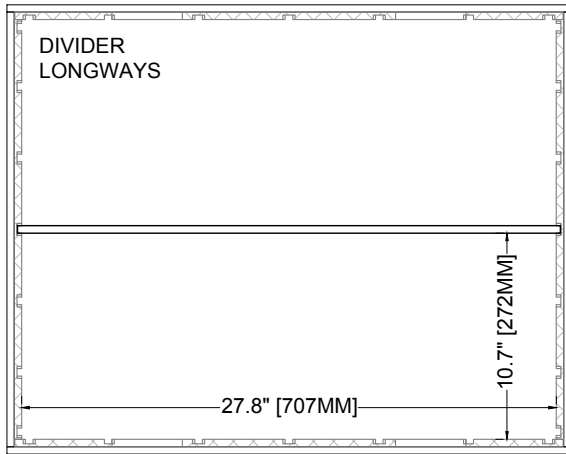
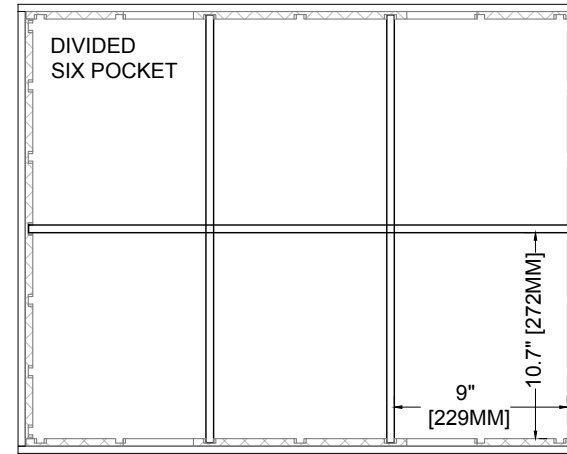
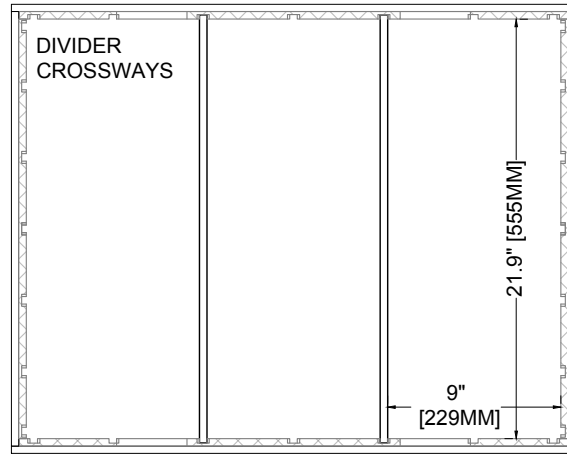
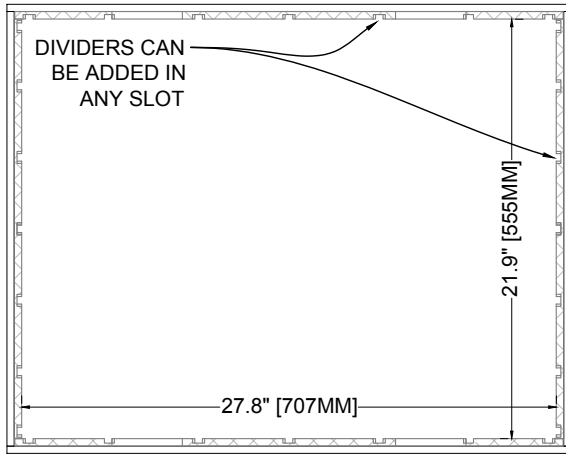
5.00



FIASCO CASES ARE
OPTIMIZED FOR 96" & 90"
TRUCK PACKOLOGY:

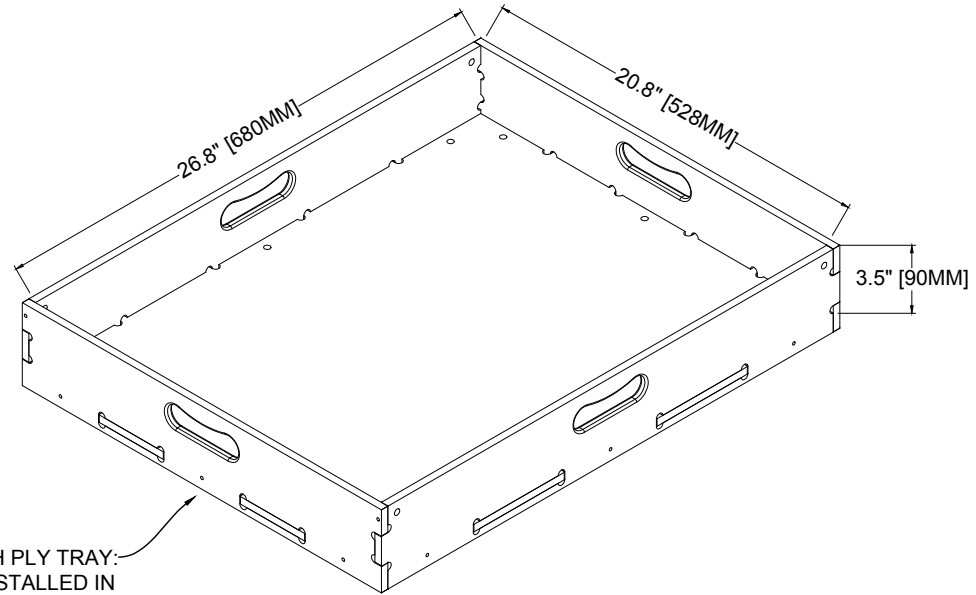
↑ EXTERNAL VIEW ↑
↓ INTERNAL VIEW ↓





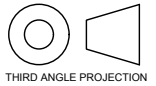
FIASCO BIRCH PLY INTERLOCK DIVIDERS:
 INTEGRATED SLOTS IN THE CASE ALLOW FOR UP TO:
 5 CROSSWAY DIVIDERS.
 5 LONGWAY DIVIDERS.

DIVIDERS CAN BE RAPIDLY CONFIGURED TO SUIT
 ANY APPLICATION.



BIRCH PLY TRAY:
 CAN BE INSTALLED IN
 ANY CASE WITH 2+ DIVIDERS.

VERSION HISTORY	
#	DATE
5.00	08-DEC-17
	ORIGINAL



THIRD ANGLE PROJECTION

TITLE
24 X 30 TALL CASE

SHEET
FIASCO INTERLOCK DIVIDERS
FIASCOCASES.COM

DATE
8-DEC-17

DESIGNED
MARTIN KAUBITZSCH

PROJECT MANAGER
JOE BRADFORD

SCALE | 1:10
 PAPER | A4
 FILE | 24 X 30 TALL CASE V5.00.dwg
 PLOT | 04/11/2019 11:20 AM
 SHEET | 2 OF 2

VERSION

