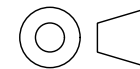


VERSION HISTORY	NOTES
#	DATE
5.5	15-NOV-17
5.6	9-AUG-19
	ORIGINAL
	VERT SPACERS ADDED



THIRD ANGLE PROJECTION

TITLE
24 X 30 SLAM RACK 16U

SHEET

OVERVIEW

FIASCOCASES.COM

DATE
9-AUG-19

DESIGNED
ASH ALGIE

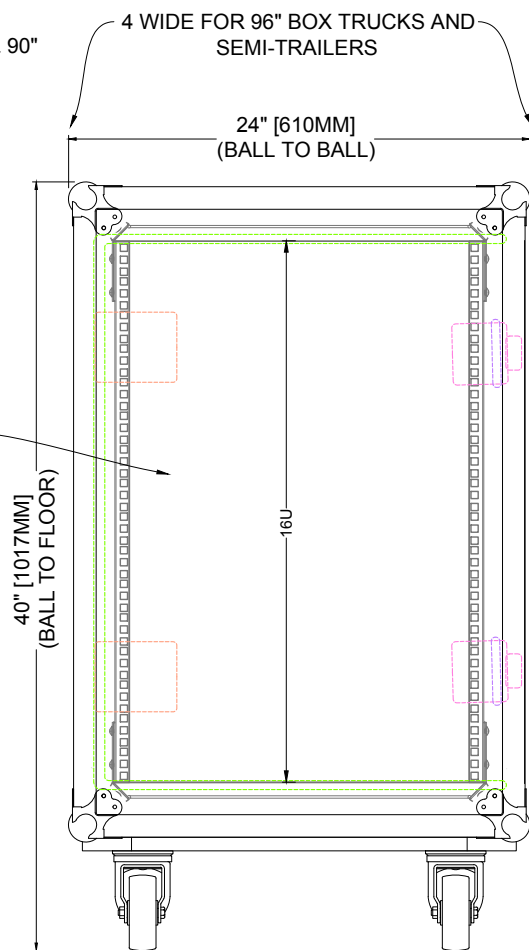
PROJECT MANAGER
JOE BRADFORD

SCALE | 1:10
PAPER | A4
FILE | 24 X 30 SLAM RACK 8U_12U_14U
PLOT | 17/03/2020 11:54 AM
SHEET | 1 OF 2

VERSION



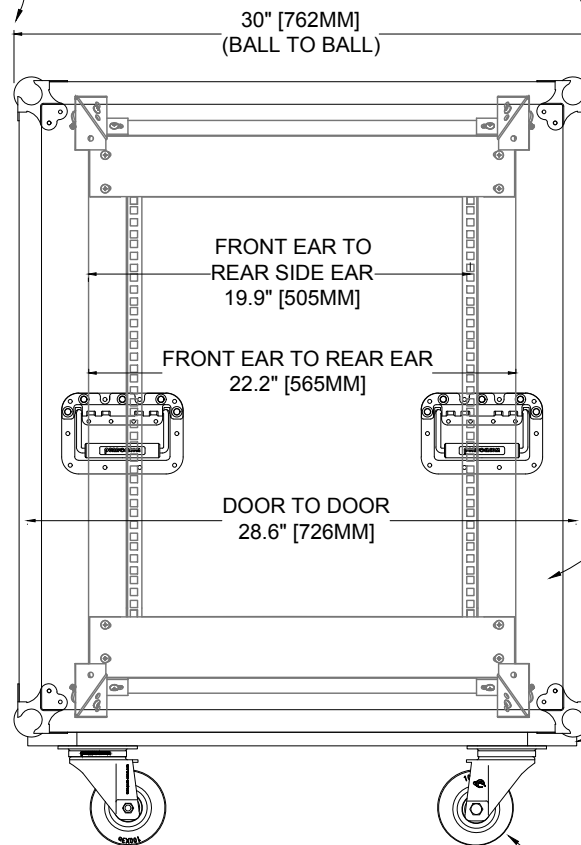
FIASCO CASES ARE OPTIMIZED FOR 96" & 90" TRUCK PACKOLOGY:



penn-celcom
550LB AUTO
BLUE WHEELS

DOORS HINGE OPEN AND SLIDE INTO STORAGE.

3 WIDE FOR 90" BOX TRUCKS AND SHIPPING CONTAINERS



SHIPPING VOLUME: 16.6FT³ [0.47M³]

penn-celcom
2MM EXTRUSION &
ZINC PLATED HARDWARE

RESIN IMPREGNATED
3/8" BIRCH PLY WITH BLACK
HEX PATTERN

3/4" BIRCH PLY WHEEL-BOARD
WITH FINGER CUT-OUTS FOR
LOW LIFTING

AUTO WHEELS ROTATE WHEN
LIFTED FOR SIMPLE STACKING