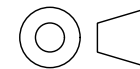


VERSION HISTORY	
#	DATE
5.00	28-MAY-18
5.00	30-OCT-19

NOTES  
ORIGINAL  
NAME CHANGE



THIRD ANGLE PROJECTION

TITLE  
**24 X 30 LOW CADILLAC CASE**

SHEET  
**OVERVIEW**

**FIASCOCASES.COM**

DATE  
**30-OCT-19**

DESIGNED  
**ASH ALGIE**

PROJECT MANAGER  
**JOE BRADFORD**

SCALE | 1:10  
PAPER | A4  
FILE | 24 X 30 LOW CADILLAC CASE  
PLOT | V5.00.dwg  
SHEET | 04/11/2019 11:05 AM  
OF

VERSION



FIASCO CASES ARE OPTIMIZED FOR 96" & 90" TRUCK PACKOLOGY

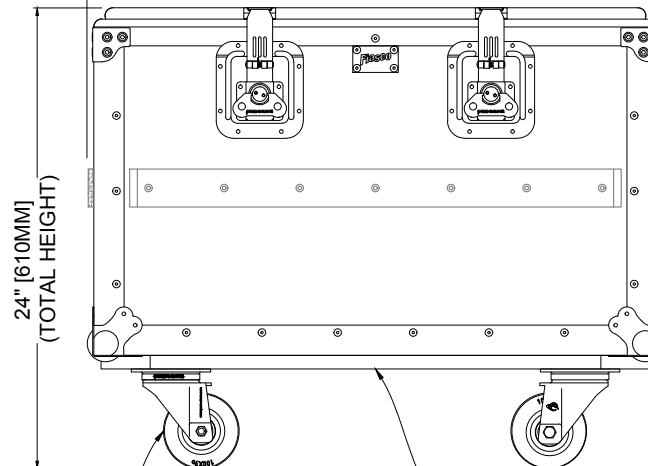
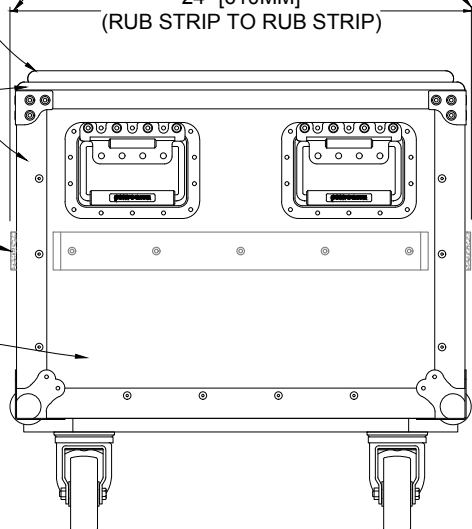
3 WIDE FOR 90" BOX TRUCKS AND SHIPPING CONTAINERS

4 WIDE FOR 96" BOX TRUCKS AND SEMI-TRAILERS

24" [610MM]  
(RUB STRIP TO RUB STRIP)

30" [762MM]  
(RUB STRIP TO RUB STRIP)

- FOLD-OVER LID
- penn-rulcom**  
2.5MM EXTRUSION & ZINC PLATED HARDWARE
- RUB STRIPS ON EACH SIDE
- RESIN IMPREGNATED 3/4" BIRCH PLY WITH BLACK HEX PATTERN

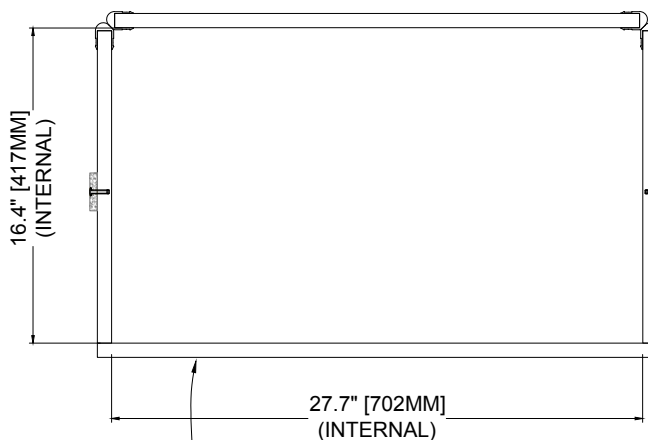
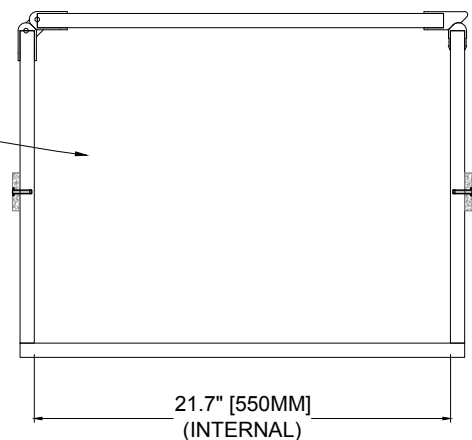


↑ EXTERNAL VIEW ↑  
↓ INTERNAL VIEW ↓

**penn-rulcom** Ø4"  
550LB AUTO BLUE WHEELS

5/8" BIRCH PLY WHEEL-BOARD WITH FINGER CUT-OUTS FOR LOW LIFTING

BLACK RESIN IMPREGNATED SMOOTH LINING



21.7" [550MM]  
(INTERNAL)

16.4" [417MM]  
(INTERNAL)

27.7" [702MM]  
(INTERNAL)

INTERNAL CAPACITY: 5.69FT<sup>3</sup> [161L]  
SHIPPING VOLUME: 9.89FT<sup>3</sup> [0.28M<sup>3</sup>]  
WEIGHT: 101LB [46KG]